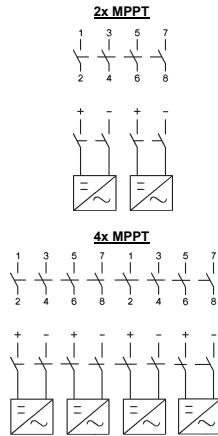
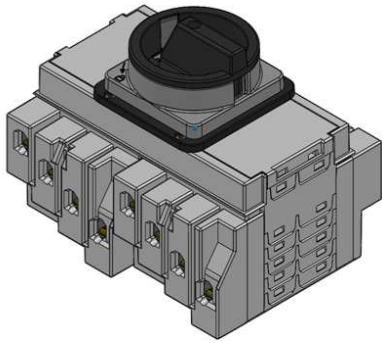


Data sheet:

DC-Load break switch Model ZFV55 VZVH4 A8



Electrical data (UL508i)

Voltage (DC)	Category	I_e	
		(2x MPPT)	(4x MPPT)
600 V	General Use	55	55
700 V		55	46
800 V		55	37
900 V		55	28
1000 V		55	20

Electrical data (IEC 60947-3)

Voltage (DC)	Category	I_e	
		(2x MPPT)	(4x MPPT)
600 V	DC21	55	55
700 V		55	55
800 V		55	45
900 V		55	35
1000 V		55	25
1200 V		55	15
1500 V		40	8

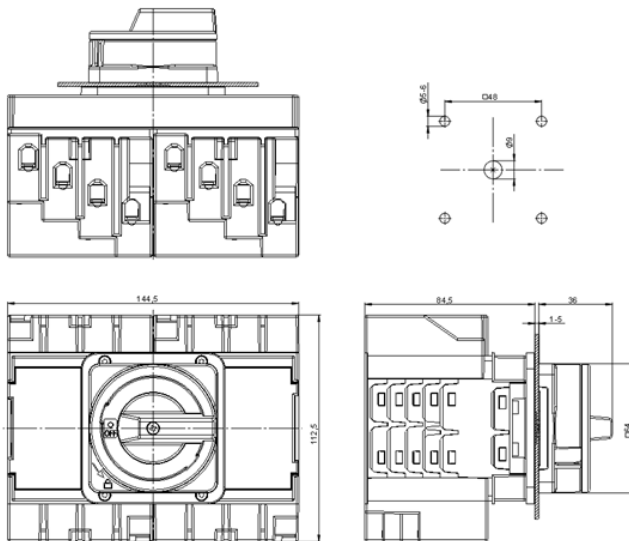
Quality Telergon, S.A.U.

ISO 9001 & 14001



Technical data:

Maximum cable cross sections		
Solid or stranded	AWG	16-10
Flexible	AWG	14-4
Size of terminal screw		
Tightening torque	lb.inch	M5 Pz2 22-25
Fuse Size (RK5)		
5kA / 1000V	A	125



In our web site www.telergon.es you will find detailed information about our products



**DC Switch-Disconnecter
ZFV55 VZVH4 A8**

TELERGON, S.A.U.
Data subject to change without
notice (printed: 25/09/2015)